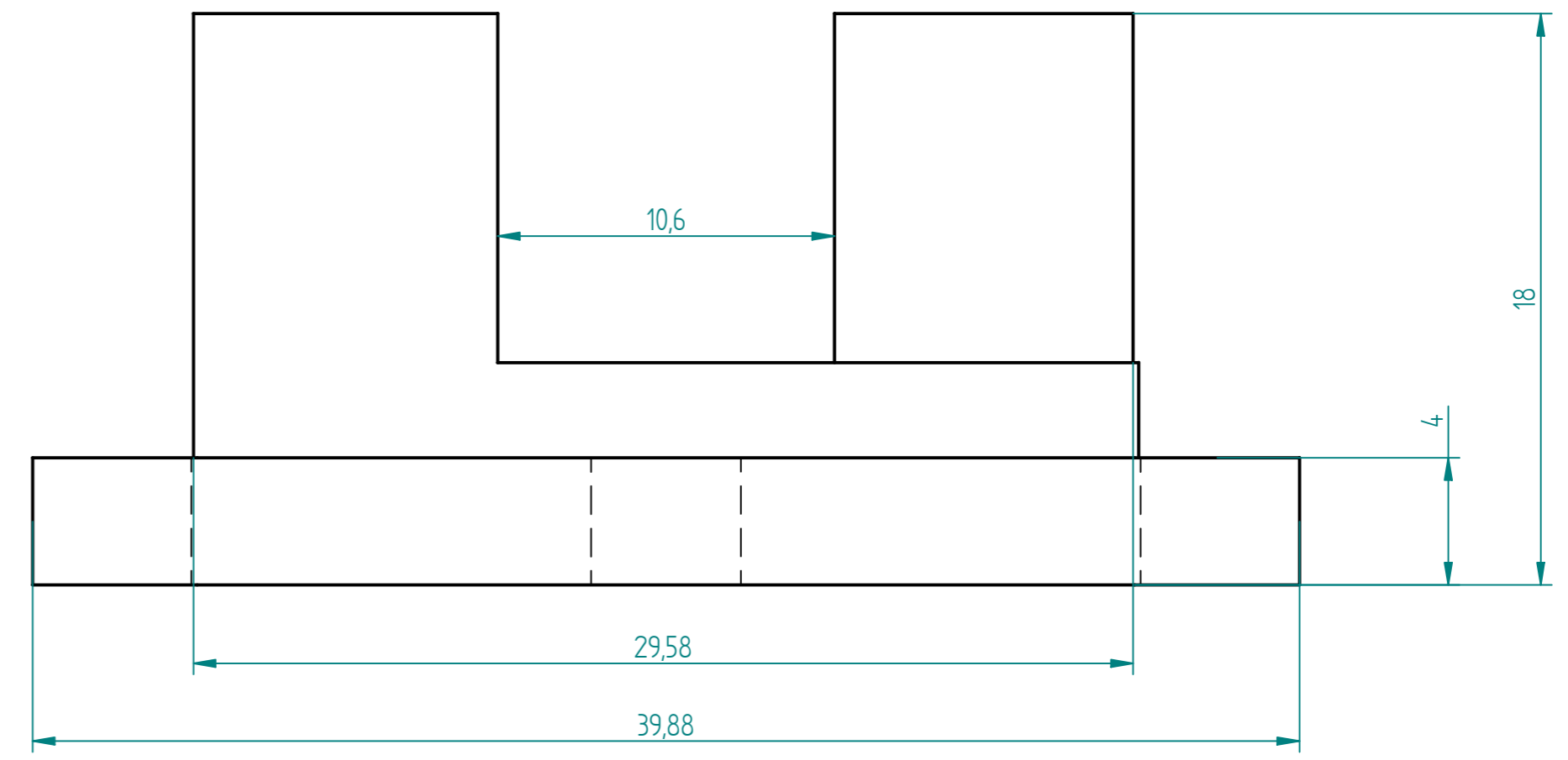
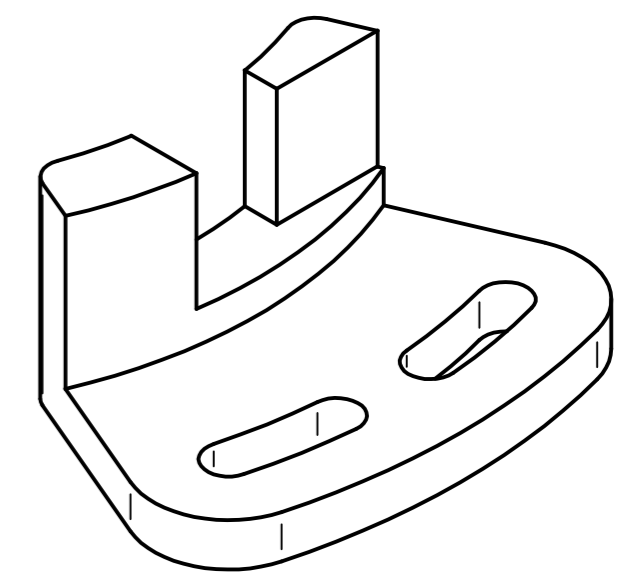
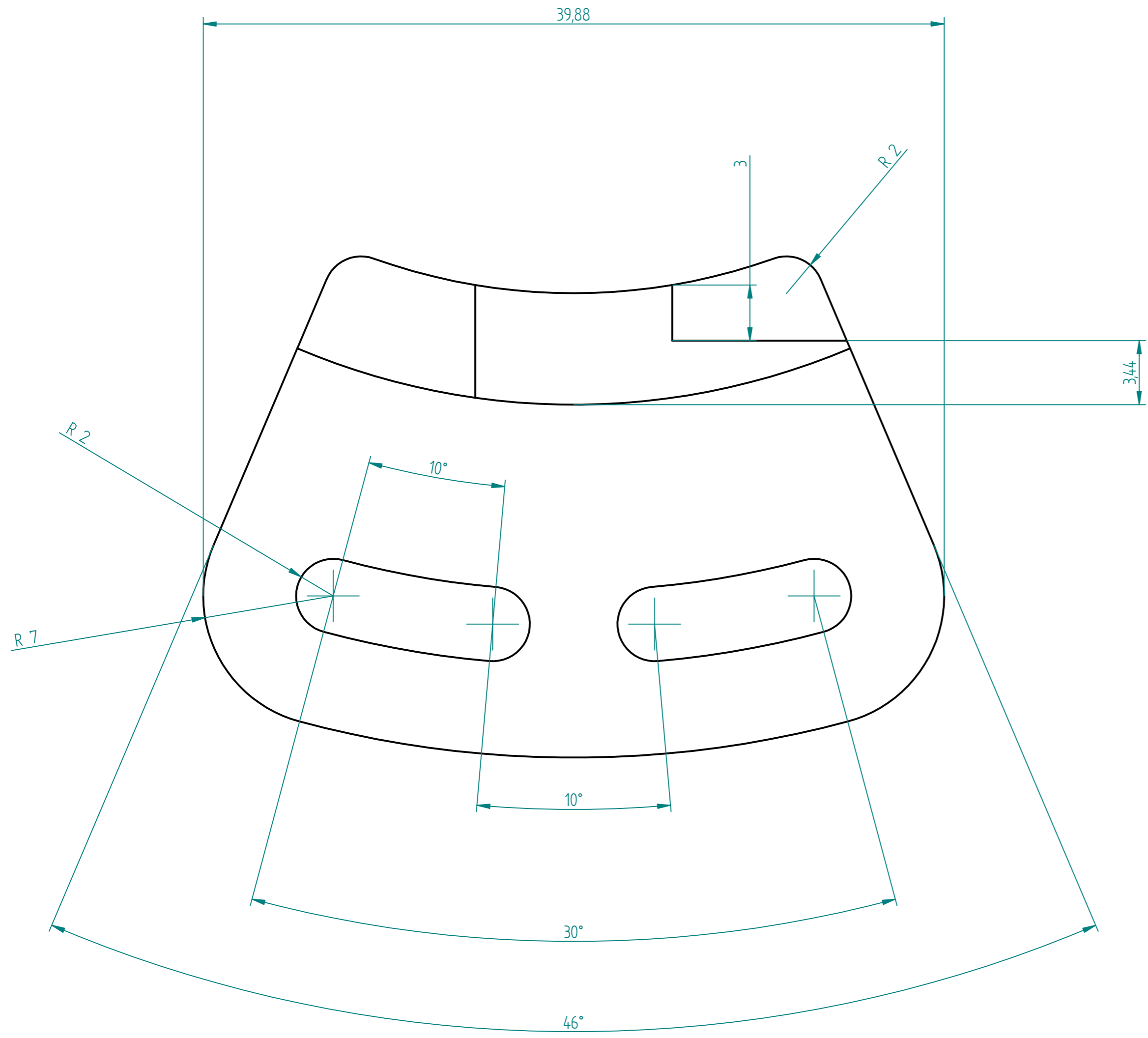


REVISION HISTORY			
REV	DESCRIPTION	DATE	APPROVED



SOLID EDGE ACADEMIC COPY

	NAME	DATE	SOLID EDGE EDS-PLM SOLUTIONS		
DRAWN	Rob	08/31/08			
CHECKED			TITLE		
ENG APPR					
MGR APPR			SIZE	DWG NO	REV
UNLESS OTHERWISE SPECIFIED DIMENSIONS ARE IN MILLIMETERS ANGLES ±X.X° 2 PL ±XXX 3 PL ±XXXX			FILE NAME: Runtronic sensor.dft		
			SCALE:	WEIGHT:	SHEET 1 OF 1